



FIRESTOP CENTRE

Authorised New Zealand Distributor
Ph (09) 483 4000 www.firestopcentre.co.nz

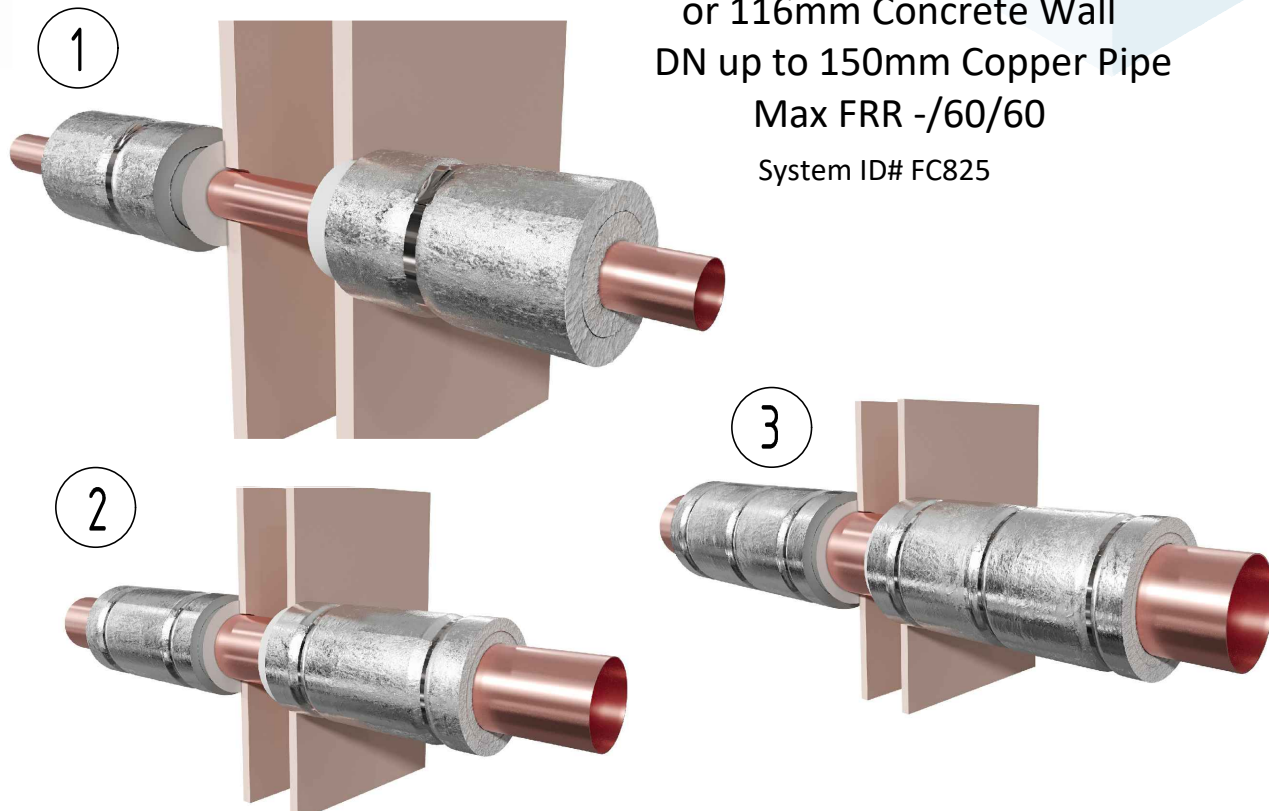
Step-by-step installation instructions:

1. Ensure the aperture(s) is free from dust and debris.
2. Make a 20mm x 20mm AGNI-Seal cone around the pipe.
3. Make two revolutions of AGNI-Shield around the pipe where the following AGNI-Shield widths are required for the following diameters

DN up to 32mm	DN up to 100 mm	DN up to 150 mm
150 mm	300 mm	450 mm

4. Secure AGNI-Shield with AGNI-Strap where

DN up to 32mm	DN up to 100 mm	DN up to 150 mm
1 x AGNI-Strap 75mm from the wall	2 x AGNI-Straps, 50mm from each end of AGNI-Shield	3 x AGNI-Straps, where 2 AGNI-Straps placed 50mm from each end of AGNI-Shield and 1 x AGNI-Strap in the middle



AGNI-Shield in 1 x 13mm Plasterboard Wall or 116mm Concrete Wall

DN up to 150mm Copper Pipe

Max FRR -/60/60

System ID# FC825

Technical Information

Substrate	<ul style="list-style-type: none"> • Min. 90mm timber or steel stud wall with a minimum of one layer of 13mm (or greater) FR plasterboard on each side, with or without insulation. • Min. 116 mm concrete wall
Service range	DN up to 150mm copper pipe
Annular gap	2mm - 10mm
AGNI-Products	AGNI-Shield, AGNI-Strap, AGNI-Seal
Protection installation	From both sides of the wall

Compliance Information

Standards	AS1530.4-2014, AS4072.1-2005
FRR/FRL	DN 32mm -/60/60 DN 100mm -/60/30 DN 150mm -/60/45
Reference	RIRF24078 (AP-080)



8 Clare St Bayswater
VIC 3153, AUSTRALIA
www.agnitek.com.au

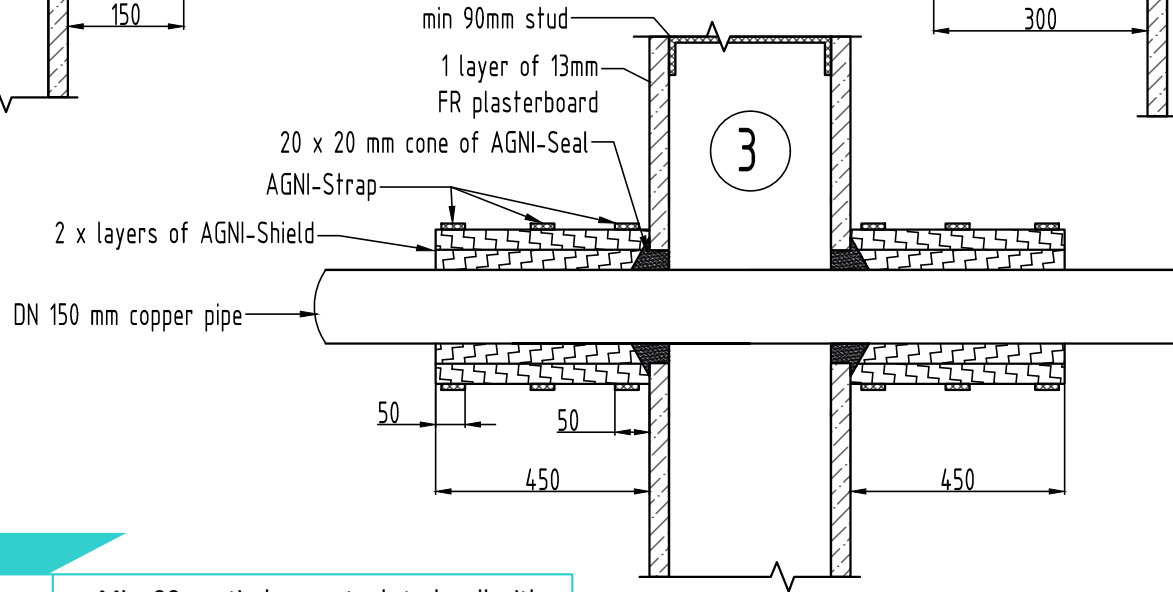
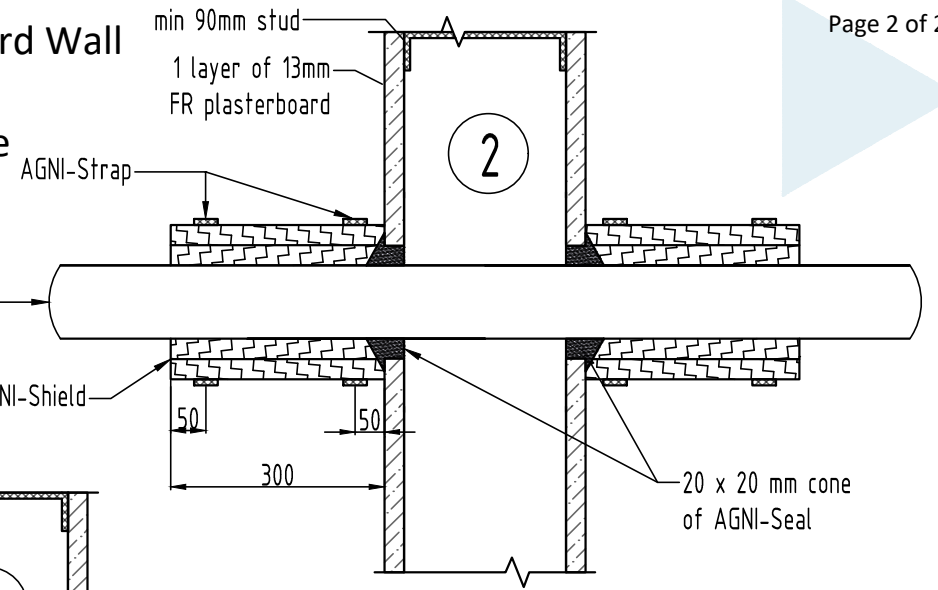
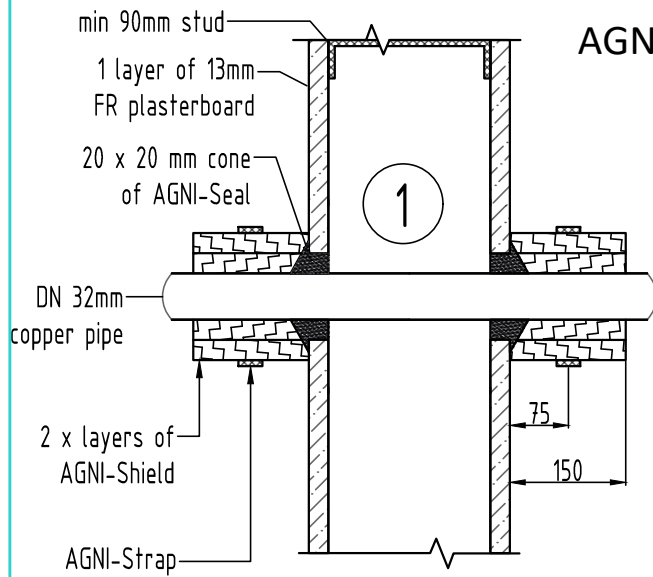
Disclaimer

Agnitek reserves the right to modify product specifications without prior notice due to its ongoing research, development & certification programme. The information in this document is provided in good faith and is intended for guidance purposes only. Any accompanying drawings are solely for illustrative purposes. Since Agnitek cannot oversee installation methods or ensure site conditions, no warranties, expressed or implied, are intended regarding the products' actual performance. We do not accept liability for any loss, damage, or injury from using this information. Please take a look at the test reports displayed on a relevant AGNI-System webpage for all compliance specifics.

Date 01.08.2024

AGNI-Shield in 1 x 13mm Plasterboard Wall or 116mm Concrete Wall DN up to 150mm Copper Pipe Max FRR -/60/60

System ID# FC825



Technical Information

Substrate	<ul style="list-style-type: none"> • Min. 90mm timber or steel stud wall with a minimum of one layer of 13mm (or greater) FR plasterboard on each side, with or without insulation. • Min. 116 mm concrete wall
Service range	DN up to 150mm copper pipe
Annular gap	2mm - 10mm
AGNI-Products	AGNI-Shield, AGNI-Strap, AGNI-Seal
Protection installation	From both sides of the wall

Compliance Information

Standards	AS1530.4-2014, AS4072.1-2005
FRR/FRL	DN 32mm -/60/60 DN 100mm -/60/30 DN 150mm -/60/45
Reference	PF24078



Agnitek[®]
FIRE RATED TECHNOLOGY

8 Clare St Bayswater
VIC 3153, AUSTRALIA
www.agnitek.com.au

Disclaimer

Agnitek reserves the right to modify product specifications without prior notice due to its ongoing research, development & certification programme. The information in this document is provided in good faith and is intended for guidance purposes only. Any accompanying drawings are solely for illustrative purposes. Since Agnitek cannot oversee installation methods or ensure site conditions, no warranties, expressed or implied, are intended regarding the products' actual performance. We do not accept liability for any loss, damage, or injury from using this information. Please take a look at the test reports displayed on a relevant AGNI-System webpage for all compliance specifics.

Date	01.08.2024
------	------------